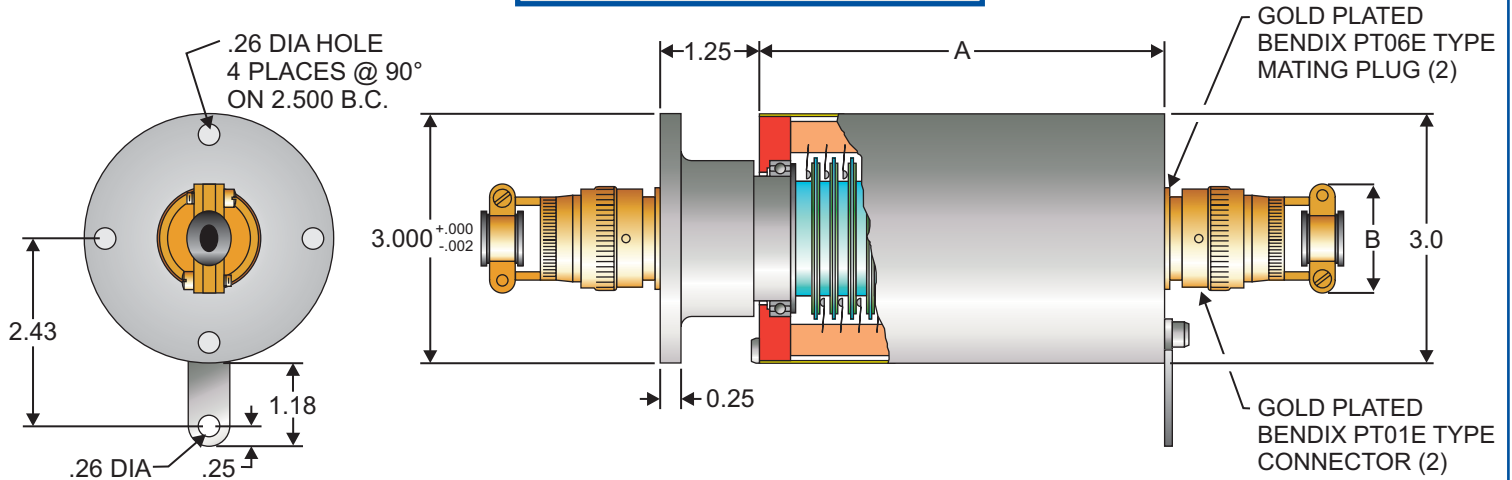
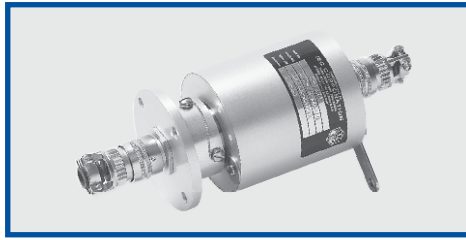


IEC-FR-LB

PART NO. C-1324



STANDARD SPECIFICATIONS

Operating Current	3.0 amps per ring
Operating Voltage	500 VRMS
Electrical Noise	5 microV, P-P, BW = 10Hz - 10kHz at 8.5 mA, 500 rpm
Leakage Resistance	10,000 MOhms (min)
Temperature Range	-30°F to 175°F
Encasement	Anodized aluminum
Ring Material	Solid coin silver
Brush Springs	Beryllium copper
Brush Contacts	Two 80% silver - 20% graphite contacts per ring
Brush Blocks	Delrin
Insulation	Teflon and delrin
Connectors	Gold plated Bendix miniature cylindrical type connectors

OPTIONS

Current	Up to 7.50 amps per ring
Voltage	Up to 750 VDC
Temperature	Up to 250°F
•	Standard connectors can be replaced with leads
•	Mounting flange dimensions can be increased and bolt circle can be altered to meet customer specifications
•	303 stainless steel rotor shaft

Sample Applications Include:

- Strain Gauge
- Thermocouple
- Low Output Transducers
- RTD Applications

The **IEC-FR-LB** series is our lightweight, compact instrumentation slip ring assembly. It can be operated at moderately high speeds of 7,000 rpm.

RINGS	PART NO	MODEL	A	B
10	C-1324-10	IEC-FR-LB-10	3.34	1.18
12	C-1324-12	IEC-FR-LB-12	3.56	1.28
14	C-1324-14	IEC-FR-LB-14	3.78	1.28
16	C-1324-16	IEC-FR-LB-16	4.00	1.28
18	C-1324-18	IEC-FR-LB-18	4.21	1.38
20	C-1324-20	IEC-FR-LB-20	4.43	1.38
22	C-1324-22	IEC-FR-LB-22	4.55	1.38
24	C-1324-24	IEC-FR-LB-24	4.87	1.38
26	C-1324-26	IEC-FR-LB-26	5.09	1.38
28	C-1324-28	IEC-FR-LB-28	5.31	1.56
30	C-1324-30	IEC-FR-LB-30	5.53	1.56
32	C-1324-32	IEC-FR-LB-32	5.75	1.56
34	C-1324-34	IEC-FR-LB-34	5.96	1.63
36	C-1324-36	IEC-FR-LB-36	6.18	1.63
38	C-1324-38	IEC-FR-LB-38	6.40	1.63

NOTE: Dimensions shown are intended, except manufacturing tolerances will apply.