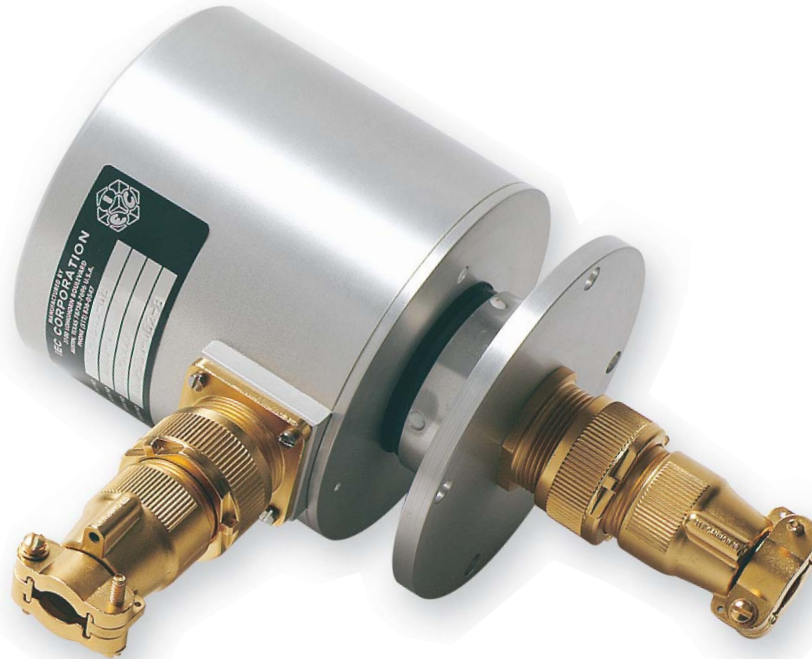


IECU

PART NO. C-1985



STANDARD SPECIFICATIONS

Operating Current	7.5 amps per ring
Operating Voltage	1,000 VRMS
Electrical Noise	5micro V, P-P, BW = 10Hz - 10kHz at 8.5 mA, 500 rpm
Leakage Resistance	10,000 MOhms (min)
Temperature Range	-30°F to 175°F
Encasement	Anodized aluminum, splash proof construction
Ring Material	Solid coin silver
Brush Springs	Beryllium copper
Brush Contacts	Two 80% silver - 20% graphite contacts per ring
Brush Case	Two piece, creep path grooved
Insulation	Teflon and delrin
Sealing	O-rings, double shaft seal
Connectors	Gold plated MS Cannon type connectors

OPTIONS

Current	Up to 20 amps per ring
Voltage	Up to 6,000 VDC
Bandwidth	DC to 250 MHz
Temperature	Up to 250°F
	<ul style="list-style-type: none">• Coax, twisted pair, or thermocouple wire• Mounting flange configured to customer specifications• Longer leads than the standard 3 ft length

Sample Applications Include:

- Oil Well Logging
- Strain Gauge
- Thermocouple
- Packaging Machines

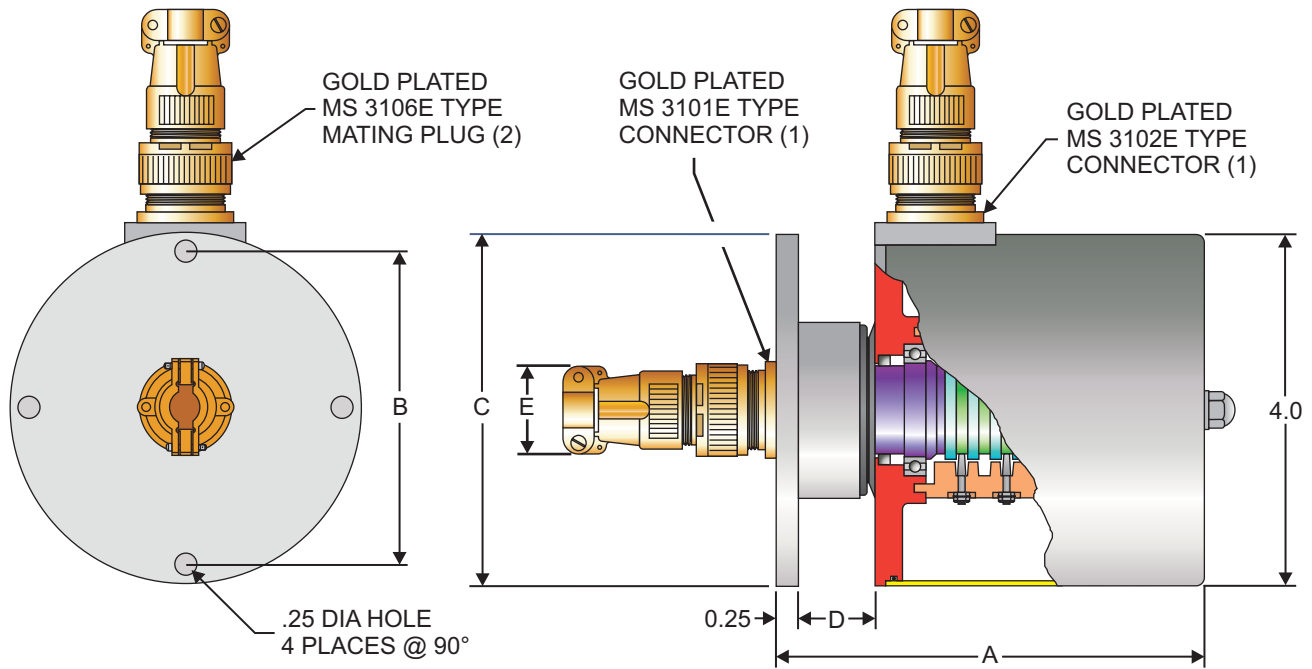
Our **IECU** model evolved from our IEC series, the first slip ring assembly manufactured by our company over 40 years ago. We have provided thousands of these units to the oil well logging industry and in the last 10 to 15 years to a number of different sectors, including the packaging machine industry.

The anodized aluminum encasement, gold plated connector shells and double sealed shaft make it ideal for inland applications, away from the salt air environment. This unit mounts cantilevered at the end of the rotating shaft using the same 2" or 4" mounting flange as the IEL-BXU.



PART NO. C-1985-32

IECU



IECU SERIES with Connectors

RINGS	PART NO.	MODEL	A	B	C	D	*E _c
2	C-1985-02	IECU-02	3.34	1.562	2.00	.84	1.13
4	C-1985-04	IECU-04	3.84	1.562	2.00	.84	1.34
6	C-1985-06	IECU-06	4.34	1.562	2.00	.84	1.34
8	C-1985-08	IECU-08	4.87	3.562	4.00	.87	1.61
10	C-1985-10	IECU-10	5.37	3.562	4.00	.87	1.61
12	C-1985-12	IECU-12	5.87	3.562	4.00	.87	1.90
14	C-1985-14	IECU-14	6.37	3.562	4.00	.87	1.90
16	C-1985-16	IECU-16	6.87	3.562	4.00	.87	2.17
18	C-1985-18	IECU-18	7.37	3.562	4.00	.87	1.90
20	C-1985-20	IECU-20	7.87	3.562	4.00	.87	2.17
22	C-1985-22	IECU-22	8.37	3.562	4.00	.87	2.17
24	C-1985-24	IECU-24	8.87	3.562	4.00	.87	2.17

*E_c = Cannon type connector dimension

IECU SERIES with 3ft long leads (20 AWG)

RINGS	PART NO.	MODEL	A	B	C	D	*E _L
26	C-1985-26	IECU-26	8.87	3.562	4.00	.87	1.06
28	C-1985-28	IECU-28	8.87	3.562	4.00	.87	1.06
30	C-1985-30	IECU-30	8.87	3.562	4.00	.87	1.06
32	C-1985-32	IECU-32	8.87	3.562	4.00	.87	1.06
34	C-1985-34	IECU-34	10.00	3.562	4.00	.87	1.06
36	C-1985-36	IECU-36	10.00	3.562	4.00	.87	1.06
38	C-1985-38	IECU-38	10.00	3.562	4.00	.87	1.06
40	C-1985-40	IECU-40	11.12	3.562	4.00	.87	1.06
42	C-1985-42	IECU-42	11.12	3.562	4.00	.87	1.06
44	C-1985-44	IECU-44	11.12	3.562	4.00	.87	1.06

*E_L = Strain relief cord connector dimension

NOTE: Dimensions shown are intended, except manufacturing tolerances will apply.