



# IEL-BX-XP Series Explosion Proof Electrical Slip Ring

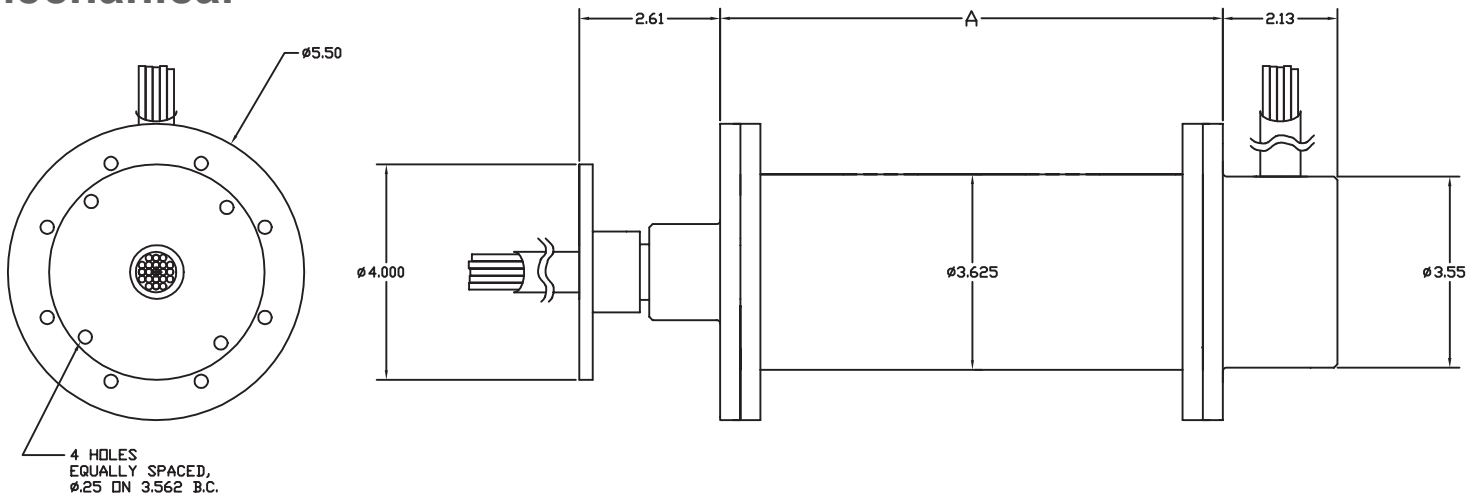
We have attained explosion proof certification from CSA International for the housings of two of our standard electrical slip ring series, the IEL-BX and IEL-OE.

Certification: Hazardous Locations Class I, Division 1, Groups C and D

The electrical specifications and most of the options available on the standard series are available on the explosion proof version. The housing is the primary component modified for the certification. This increases the total outside diameter and length of the complete assembly (compared to the standard non-certified line).



## Mechanical



## Specifications

Operating Current	7.5 amps per ring
Operating Voltage	1,000 VRMS
Electrical Noise	5 microV, P-P, BW = 10Hz - 10kHz at 8.5 mA, 500 rpm
Leakage Resistance	10,000 Mega ohms
Encasement	Passivated stainless steel, splash proof construction, certified for use in hazardous locations Class I, Division 1, Groups C and D
Ring Material	Solid coin silver
Brush Springs	Beryllium copper
Brush Contacts	Four 80% silver - 20% graphite contacts per ring
Brush Case	Two piece, creep path grooved
Insulation	Teflon and delrin
Sealing	O-rings, double shaft seal
Wire Leads	NPT entries provided, wire lengths to your specs
Wire Exits	On axis or 90 degree

## Options

Current	Up to 20 amps per ring
Voltage	Up to 6,000 VDC
Bandwidth	DC to 250 MHz
- Coax, twisted pair, or thermocouple wire	
- Oil filled	

## Physical

Rings	Part No.	Model	Dim A
2	C-2312-02	IEL-BX-XP-02	5.000
4	C-2312-04	IEL-BX-XP-04	5.000
6	C-2312-06	IEL-BX-XP-06	5.000
8	C-2312-08	IEL-BX-XP-08	5.175
10	C-2312-10	IEL-BX-XP-10	5.675
12	C-2312-12	IEL-BX-XP-12	6.175
14	C-2312-14	IEL-BX-XP-14	6.675
16	C-2312-16	IEL-BX-XP-16	7.175
18	C-2312-18	IEL-BX-XP-18	7.675
20	C-2312-20	IEL-BX-XP-20	8.175
22	C-2312-22	IEL-BX-XP-22	8.675
24	C-2312-24	IEL-BX-XP-24	9.175
26	C-2312-26	IEL-BX-XP-26	9.675
28	C-2312-28	IEL-BX-XP-28	10.175
30	C-2312-30	IEL-BX-XP-30	10.675
32	C-2312-32	IEL-BX-XP-32	11.175
34	C-2312-34	IEL-BX-XP-34	11.675
36	C-2312-36	IEL-BX-XP-36	12.175
38	C-2312-38	IEL-BX-XP-38	12.675
40	C-2312-40	IEL-BX-XP-40	13.175
42	C-2312-42	IEL-BX-XP-42	13.675
44	C-2312-44	IEL-BX-XP-44	14.175

## IEC CORPORATION

3100 Longhorn Blvd - Austin, Texas 78758-7696 - USA - (512) 836-0547 - fax (512) 834-1082

[www.ieccorporation.com](http://www.ieccorporation.com)

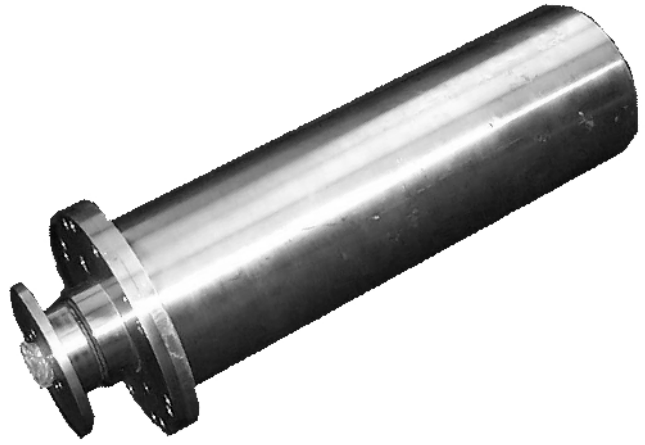


# IEL-OE-XP Series Explosion Proof Electrical Slip Ring

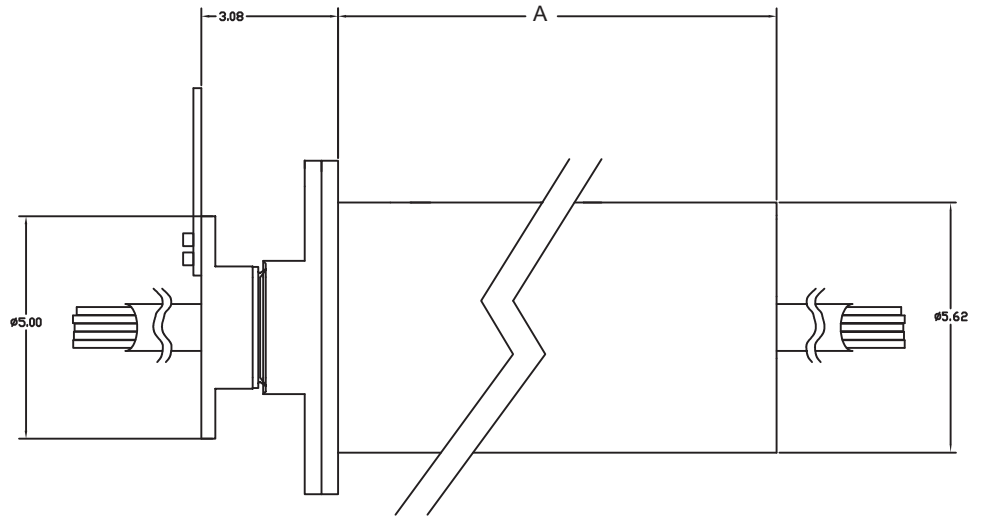
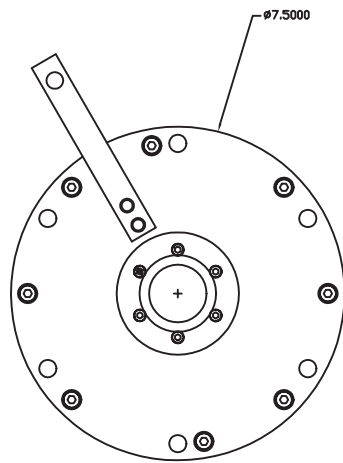
We have attained explosion proof certification from CSA International for the housings of two of our standard electrical slip ring series, the IEL-BX and IEL-OE.

Certification: Hazardous Locations Class I, Division 1, Groups C and D

The electrical specifications and most of the options available on the standard series are available on the explosion proof version. The housing is the primary component modified for the certification. This increases the total outside diameter and length of the complete assembly (compared to the standard non-certified line).



## Mechanical



## Specifications

Operating Current	7.5 amps per ring
Operating Voltage	1,000 VRMS
Electrical Noise	5 microV, P-P, BW = 10Hz - 10kHz at 8.5 mA, 500 rpm
Leakage Resistance	10,000 Mega ohms (min)
Encasement	Passivated stainless steel, splash proof construction, certified for use in hazardous locations Class I, Division 1, Groups C and D
Ring Material	<input type="checkbox"/> Solid coin silver
Brush Springs	Beryllium copper
Brush Contacts	Four 80% silver - 20% graphite contacts per ring
Brush Blocks	Delrin
Insulation	Teflon and delrin
Sealing	O-rings, double shaft seal
Wire Leads	NPT entries provided, wire lengths to your specs
Wire Exits	On axis only

## Options

Current	Up to 20 amps per ring
Voltage	Up to 5,000 VDC
Bandwidth	DC to 150 MHz
- Coax, twisted pair, or thermocouple wire	
- Oil filled	

## Physical

Rings	Part No.	Model	Dim A
26	D-1501-26	IEL-OE-XP-26	9.13
28	D-1501-28	IEL-OE-XP-28	9.50
30	D-1501-30	IEL-OE-XP-30	9.88
32	D-1501-32	IEL-OE-XP-32	10.25
34	D-1501-34	IEL-OE-XP-34	10.63
36	D-1501-36	IEL-OE-XP-36	11.00
38	D-1501-38	IEL-OE-XP-38	11.38
40	D-1501-40	IEL-OE-XP-40	11.75
42	D-1501-42	IEL-OE-XP-42	12.13
44	D-1501-44	IEL-OE-XP-44	12.50
46	D-1501-46	IEL-OE-XP-46	12.88
48	D-1501-48	IEL-OE-XP-48	13.25
50	D-1501-50	IEL-OE-XP-50	13.63
52	D-1501-52	IEL-OE-XP-52	14.00
54	D-1501-54	IEL-OE-XP-54	14.38
56	D-1501-56	IEL-OE-XP-56	14.75
58	D-1501-58	IEL-OE-XP-58	15.13
60	D-1501-60	IEL-OE-XP-60	15.50
62	D-1501-62	IEL-OE-XP-62	15.88
64	D-1501-64	IEL-OE-XP-64	16.25
66	D-1501-66	IEL-OE-XP-66	16.63
68	D-1501-68	IEL-OE-XP-68	17.00
70	D-1501-70	IEL-OE-XP-70	17.38
72	D-1501-72	IEL-OE-XP-72	17.75

You may contact Bryan Garland directly in reference to Explosion Proof slip rings:  
 bgarland@ieccorporation.com (512) 836-0547