



ST3K / ST4K UNDERWATER EMERGENCY RECHARGEABLE XENON STROBE

3000m & 4000m Depth Rated

Rechargeable

High Intensity

Pressure Switch

Hand Switch

Daylight Switch

Remote Head

The ST3K and ST4K Xenon Rechargeable Submersible Strobes are self contained, compact, high intensity xenon beacons designed for use as a visual aid to locate submersible vehicles or instrumentation packages when they surface for recovery. They can also be used to mark underwater objects, vehicles, divers or work sites.

The strobe is designed such that when the ROV power (120 - 240Vac) is on, it will still switch the charging circuit for the strobe batteries on and switch the strobe off to conserve battery power. The strobe will constantly charge when the power is present but the charging will switch off when the voltage on the batteries reaches the fully charged level.

The unit will only operate if the following conditions are met:

1. ROV power is lost
2. The pressure of seawater on the pressure switch is low enough to switch the unit on (i.e. above 10m of seawater)
3. The ambient light around the LDR sensor is low enough to switch the unit on



ST3K / ST4K Xenon Strobe

SPECIFICATIONS

Housing Materials:	Hard Anodized 6082-T6 Aluminium
Length:	225mm (8.86in) excluding switch, head and connector
Diameter	110mm (4.33in)
Window/Lens:	Acrylic
Operating Depth:	3000m (9842ft) or 4000m (12960ft)
Operating Temperature:	-30°C to +50°C
Switches:	Pressure activated below 10m Hand on/off Photocell, 100lux (adjustable)
Anode:	Zinc
Flash Rate, adjustable:	40, 25, 18, 15/min, Factory set at 15/min
Input Power:	120 - 240Vac
Max Intensity:	0.3 watt seconds
Tube Life:	>1 million
Photocell:	Adjustable, factory set at 100lux
Battery Type:	2 x Rechargeable Nickel Metal Hydride
Battery Life:	50 Hours Approx at 15°C
Weight in Air	3.3kg
Weight in water	2.12kg

Switches

Photocell

A Photocell is included in each strobe to turn the unit off and conserve battery life during daylight hours. The photocell is factory set to activate at approximately 100 Lux, however this level can be adjusted by the user according to operational requirement. Additionally, the photocell switch can be disabled to allow continuous operation.

Pressure

The pressure switch is designed to turn the unit on or off when the depth exceeds approximately 10 meters. Factory setting is OFF underwater and ON, on the surface.

Hand

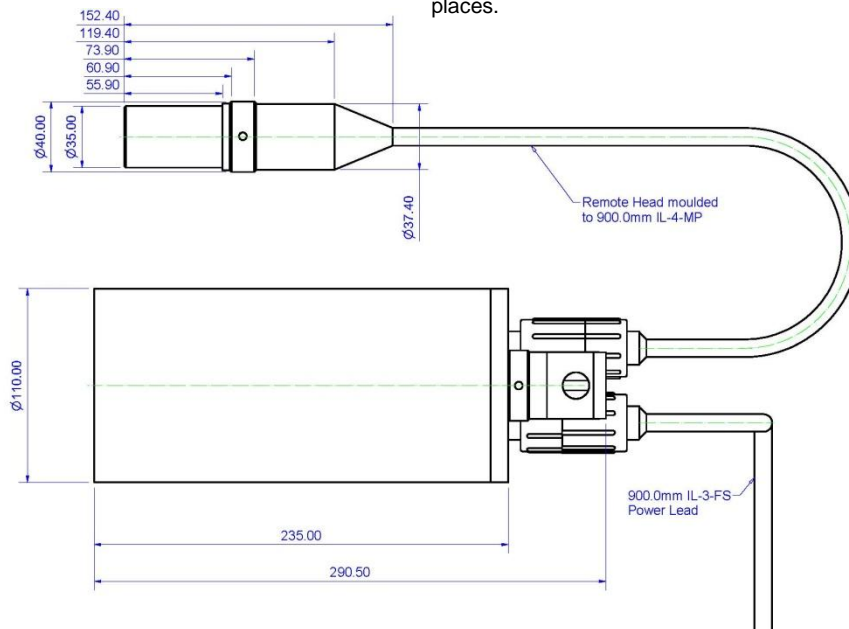
The hand switch is designed to be used in conjunction with the pressure switch. The hand switch is operated by turning the cam 90 degrees to press against the diaphragm of the pressure switch

Housing

The strobe is self contained in its underwater hard black anodised aluminium housing. The housing consists of two parts, a cylindrical can and end plate.

Remote Head

A remote head option is available where the xenon tube with its acrylic housing is separated from the main housing by a 1 meter cable assembly. This option allows the user to position the head in confined places.



Howe Moss Crescent, Dyce, Aberdeen, AB21 0GN, Tel: +44 (0)1224 772345, Fax: +44 (0)1224 772900,
Email: bowtech@bowtech.co.uk, Web: www.bowtech.co.uk